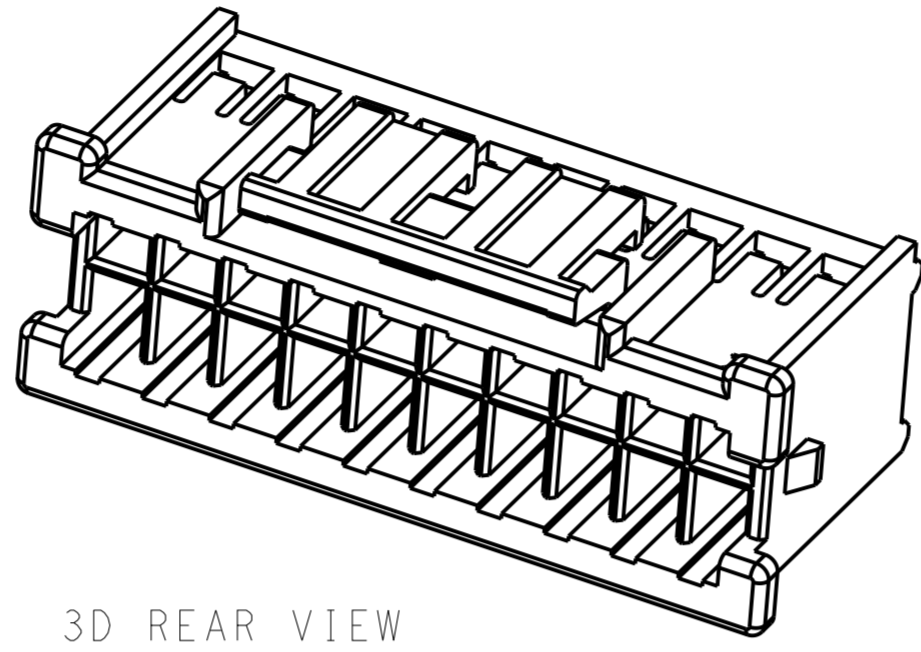
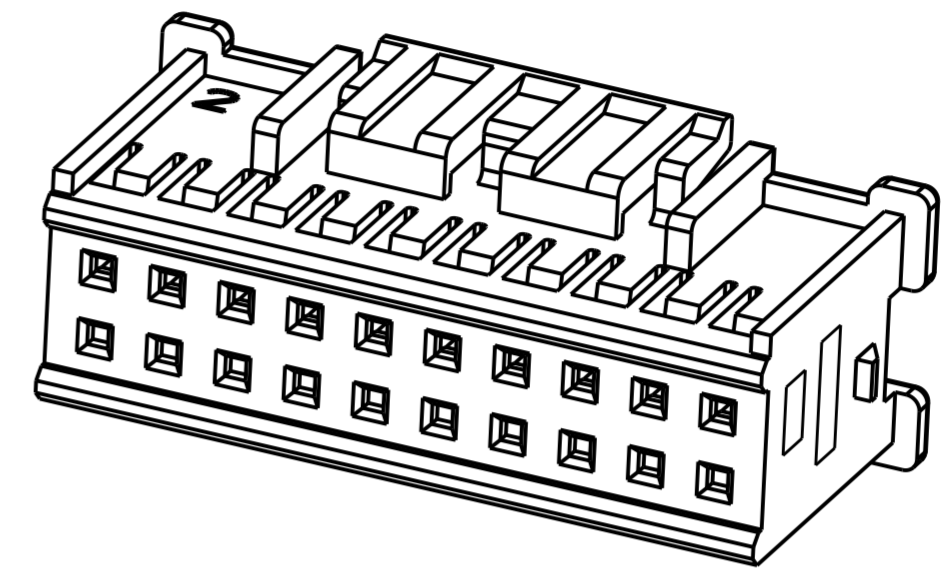


THIS DRAWING IS UNPUBLISHED. RELEASED FOR PUBLICATION 20
 © COPYRIGHT 20 BY - ALL RIGHTS RESERVED.

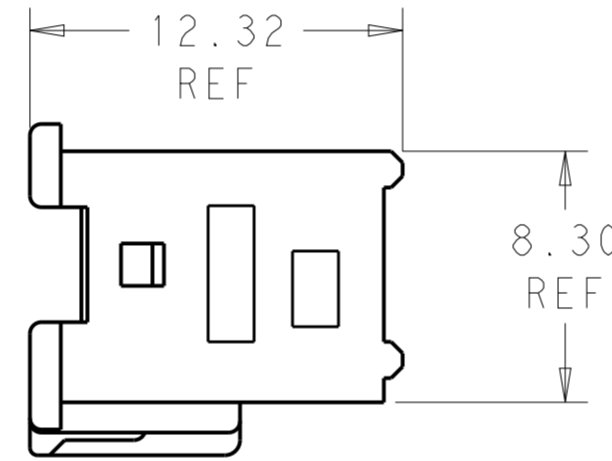
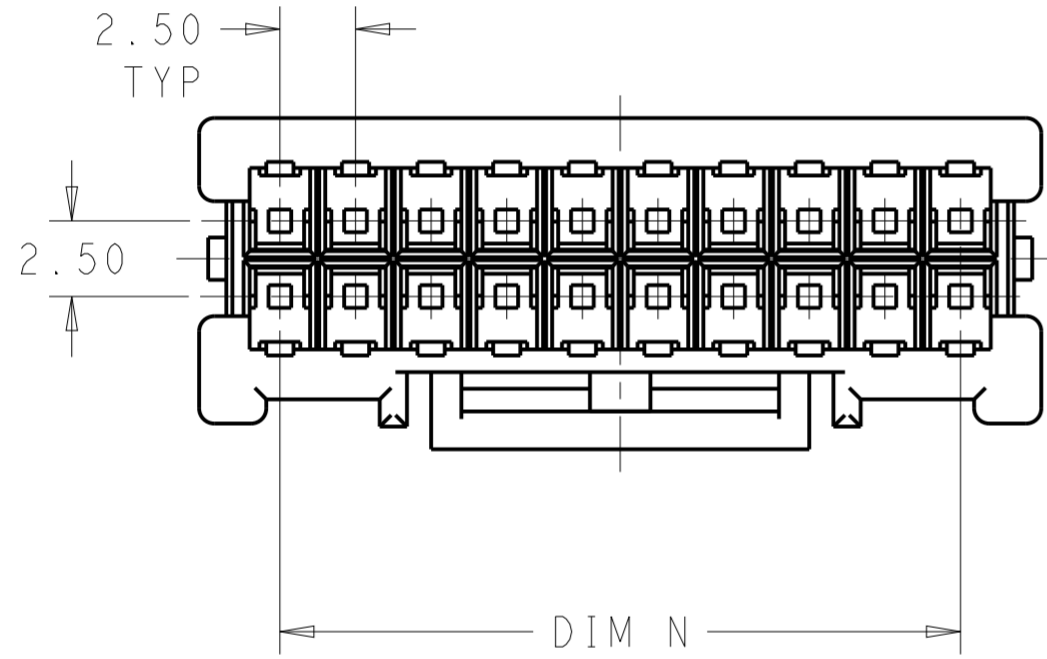
REVISIONS							
LOC	DIST	P	LTR	DESCRIPTION	DATE	DWN	APVD
-	-		A1	RELEASED PER ECO -14-000783	16JAN14	JR	KR



3D REAR VIEW
20 POSITION SHOWN



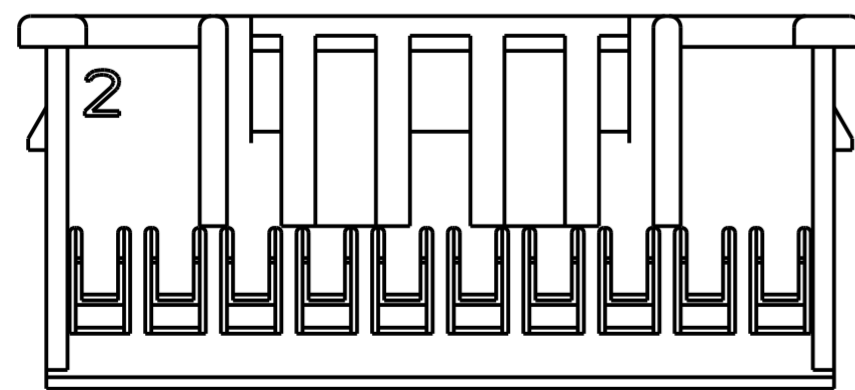
3D MATING FACE VIEW
20 POSITION SHOWN



1 MATERIAL: NYLON, UL94V-0, COLOR:WHITE.

2 SEE SHEET 2 FOR LATCH DESIGN ON THE DIFFERENT PART NUMBERS.

1.25	2	47.50	51.04	4-1969540-0
0.00	2	45.00	48.54	3-1969540-8
1.25	2	42.50	46.04	3-1969540-6
0.00	2	40.00	43.54	3-1969540-4
1.25	2	37.50	41.04	3-1969540-2
0.00	2	35.00	38.54	3-1969540-0
1.25	2	32.50	36.04	2-1969540-8
0.00	2	30.00	33.54	2-1969540-6
1.25	2	27.50	31.04	2-1969540-4
0.00	2	25.00	28.54	2-1969540-2
1.25	2	22.50	26.04	2-1969540-0
0.00	2	20.00	23.54	1-1969540-8
2 1.25	1	17.50	21.04	1-1969540-6
2 0.00	1	15.00	18.54	1-1969540-4
2 1.25	1	12.50	16.04	1-1969540-2
2 0.00	1	10.00	13.54	1-1969540-0
2 1.25	1	7.50	11.04	1969540-8
DIM "M"	NO. OF LATCH CUT-OUTS	DIM "N"	DIM "L"	PART NO.

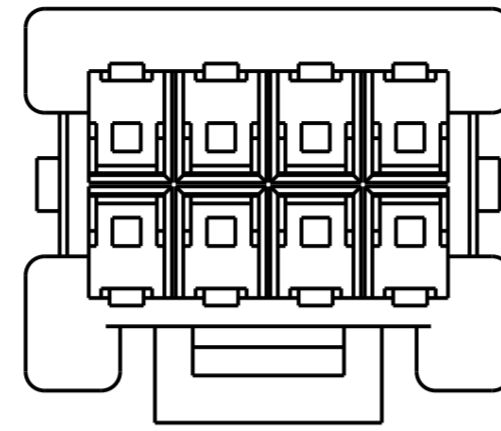
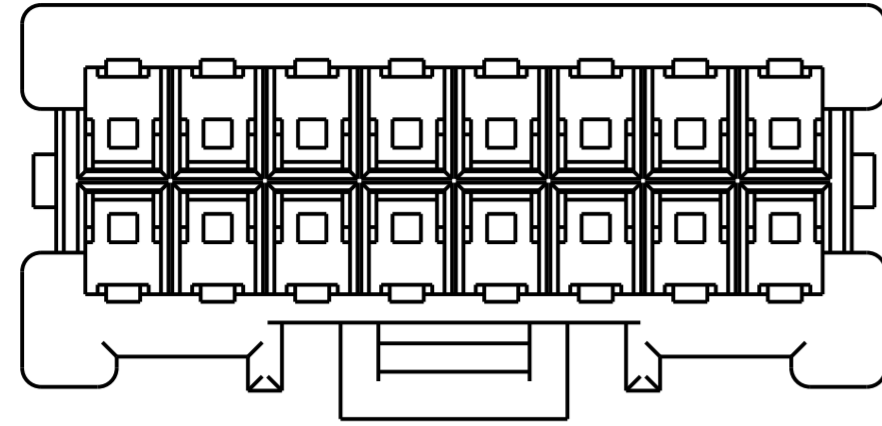


THIS DRAWING IS A CONTROLLED DOCUMENT.

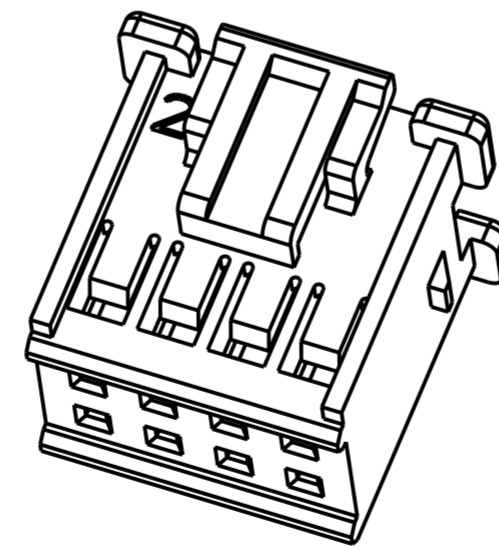
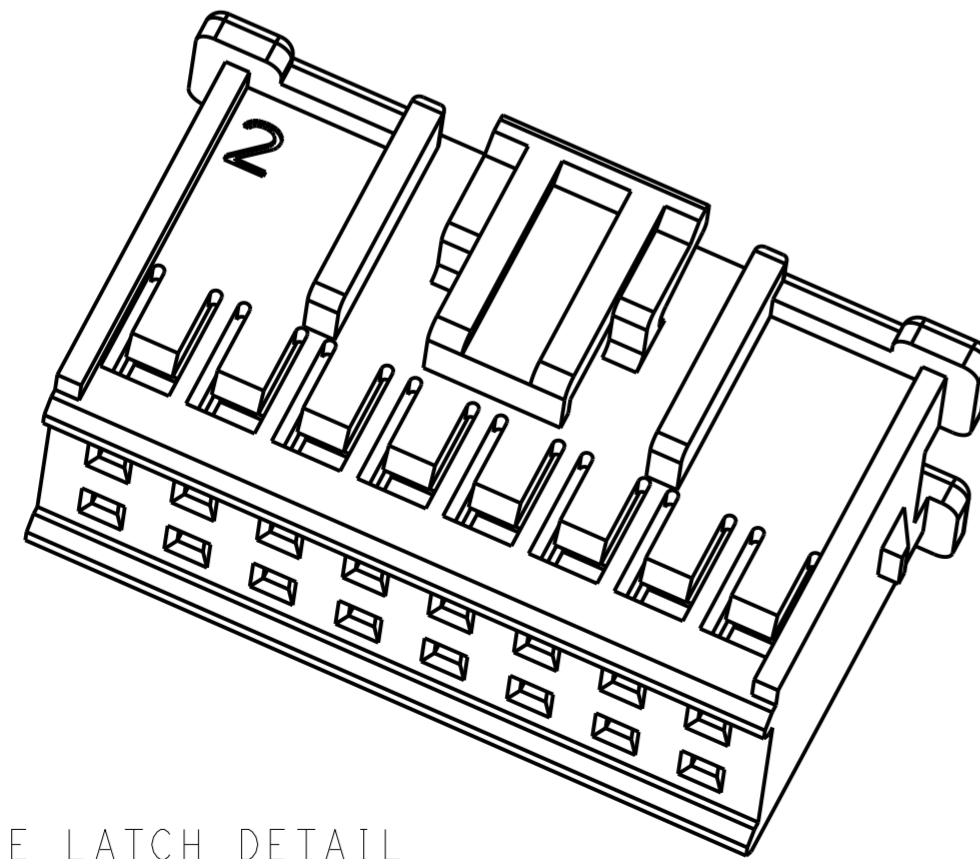
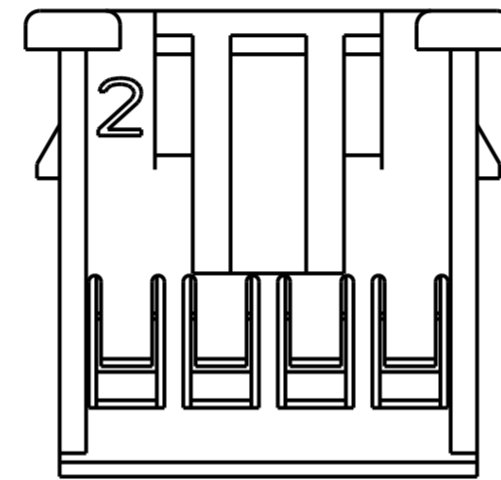
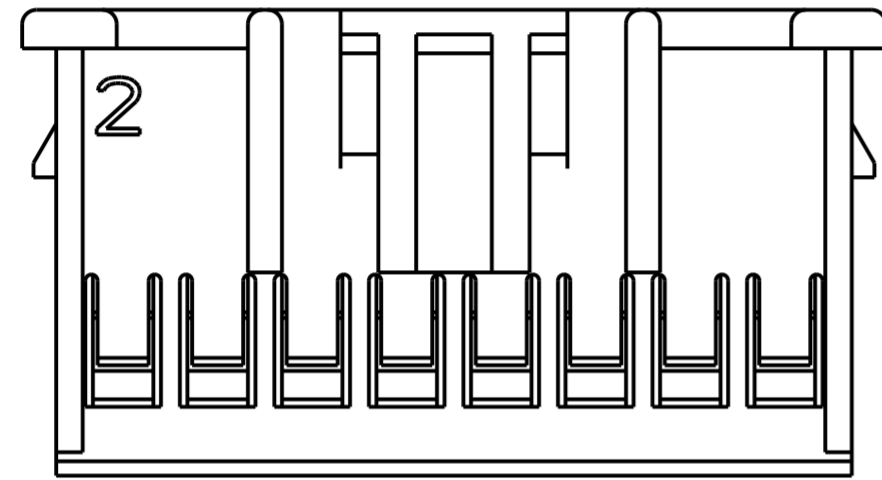
DIMENSIONS: mm	TOLERANCES UNLESS OTHERWISE SPECIFIED:	DWN: JR RUTH 01OCT2012	TE Connectivity HOUSING, SOCKET, E.P. 2.5, DUAL ROW
	0 PLC ±	CHK: KURT RANDOLPH 01OCT2012	
	1 PLC ±	APVD: KURT RSNDOLPH 01OCT2012	
	2 PLC ±0.25	PRODUCT SPEC: 108-2418	
MATERIAL	ANGLES ±	APPLICATION SPEC: 114-13315	RESTRICTED TO
	FINISH 1	WEIGHT: -	SCALE: 3:1
		Customer Drawing	SHEET 1 OF 2

THIS DRAWING IS UNPUBLISHED. RELEASED FOR PUBLICATION 20
 © COPYRIGHT 20 BY - ALL RIGHTS RESERVED.

LOC		DIST		REVISIONS			
P	LTR	DESCRIPTION	DATE	DWN	APVD		
-	-	SEE SHEET 1	-	-	-		



SCALE 5:1



SINGLE LATCH DETAIL
 1-1969540-6 SHOWN HERE
 THESE DIM'S ARE FOR THE
 1-1969540-2 THRU -16

SINGLE LATCH DETAIL
 1969540-8 SHOWN HERE
 THESE DIM'S ARE FOR THE
 1969540-8 AND 1-1969540-0

THIS DRAWING IS A CONTROLLED DOCUMENT.		DWN	01OCT2012		TE Connectivity
DIMENSIONS:		CHK	01OCT2012		
mm		APVD	01OCT2012		
		NAME	KURT RANDOLPH		
TOLERANCES UNLESS OTHERWISE SPECIFIED:		PRODUCT SPEC	108-2418		HOUSING, SOCKET, E.P. 2.5, DUAL ROW
0 PLC	±-	APPLICATION SPEC	114-13315		SIZE
1 PLC	±-	WEIGHT	-		CAGE CODE
2 PLC	±0.25	Customer Drawing	A200779		DRAWING NO
3 PLC	±-	SCALE	3:1		RESTRICTED TO
4 PLC	±-	SHEET	2		OF
ANGLES	±-	REV	A1		
FINISH	±-				